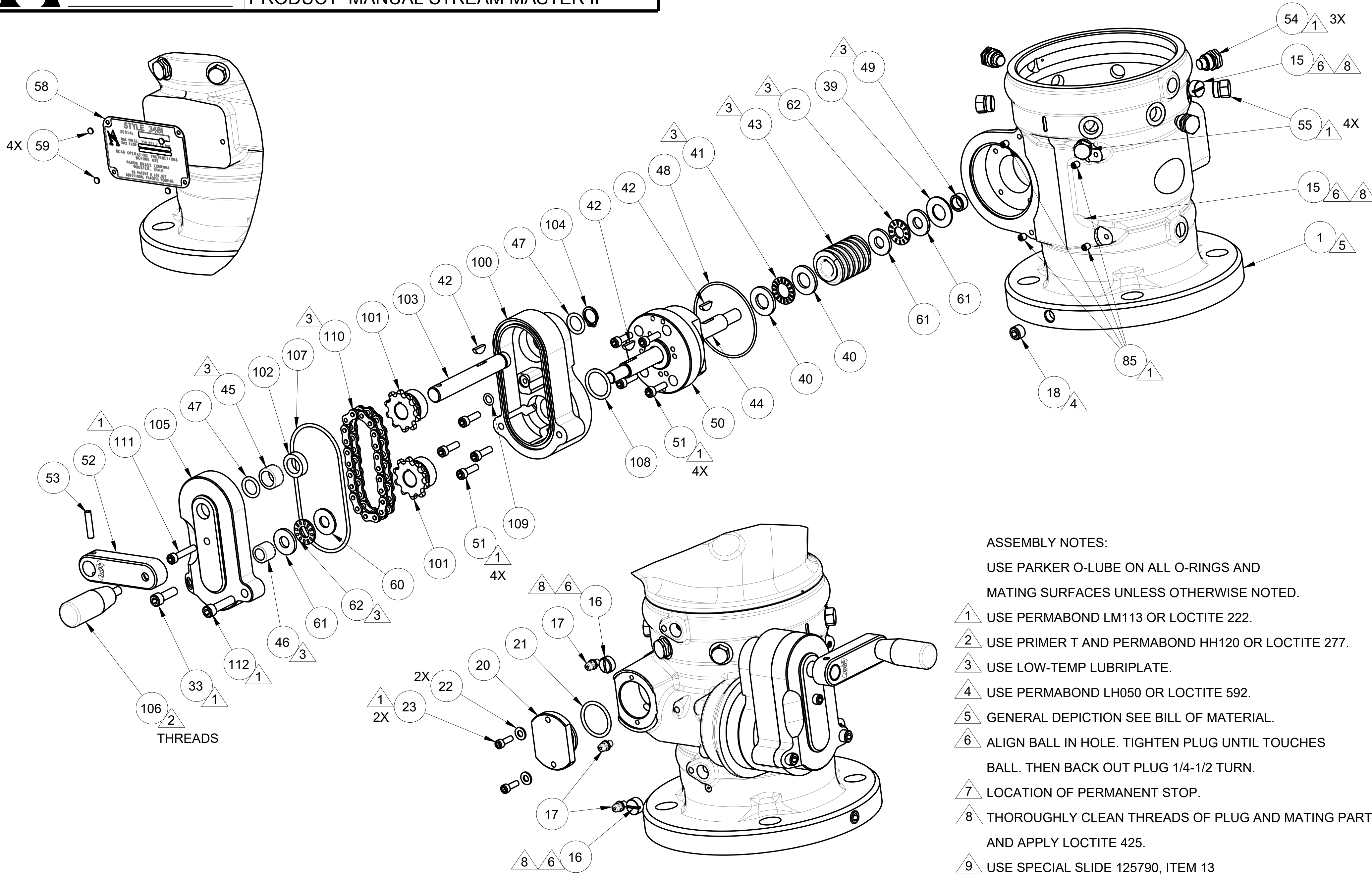


PHONE: 800.228.1161 | [www.akronbrass.com](http://www.akronbrass.com) Parts List Sheet:

WARRANTY AND DISCLAIMER\*: We warrant Akron Brass products for a period of five (5) years\* after purchase against defects in materials or workmanship. Akron Brass will repair or replace product which fails to satisfy this warranty. Repair or replacement shall be at the discretion of Akron Brass. Products must be promptly returned to Akron Brass for warranty service. We will not be responsible for: wear and tear; any improper installation, use, maintenance or storage; negligence of the owner or user; repair or modification after delivery; failure to follow our instructions or recommendations; or anything else beyond our control. WE MAKE NO WARRANTIES, EXPRESS OR IMPLIED, OTHER THAN THOSE INCLUDED IN THIS WARRANTY STATEMENT, AND WE DISCLAIM ANY IMPLIED WARRANTY OF MERCHANTABILITY OR FITNESS FOR ANY PARTICULAR PURPOSE. Further, we will not be responsible for any consequential, incidental or indirect damages (including, but not limited to, any loss of profits) from any cause whatsoever. No person has authority to change this warranty. \*Unless otherwise provided herein. Akron Brass industrial electronic components & the Severe-Duty Monitor have a one (1) year warranty. Select Akron Brass handline nozzles and valves carry a ten (10) year warranty. Scene Star Lights carry a (6) year warranty. Weldon products have a two (2) year warranty from date of manufacture (excluding consumable components). Select Weldon LED products carry a five (5) year warranty. Honda products have the manufacturers' warranty and Akron Brass disclaims any warranty in respect of those products.

124287

D47038



- ASSEMBLY NOTES:**
- USE PARKER O-LUBE ON ALL O-RINGS AND MATING SURFACES UNLESS OTHERWISE NOTED.
  - 1 USE PERMABOND LM113 OR LOCTITE 222.
  - 2 USE PRIMER T AND PERMABOND HH120 OR LOCTITE 277.
  - 3 USE LOW-TEMP LUBRIPLATE.
  - 4 USE PERMABOND LH050 OR LOCTITE 592.
  - 5 GENERAL DEPICTION SEE BILL OF MATERIAL.
  - 6 ALIGN BALL IN HOLE. TIGHTEN PLUG UNTIL TOUCHES BALL. THEN BACK OUT PLUG 1/4-1/2 TURN.
  - 7 LOCATION OF PERMANENT STOP.
  - 8 THOROUGHLY CLEAN THREADS OF PLUG AND MATING PART AND APPLY LOCTITE 425.
  - 9 USE SPECIAL SLIDE 125790, ITEM 13

PHONE: 800.228.1161 | [www.akronbrass.com](http://www.akronbrass.com)

Parts List Sheet:

124287

**WARRANTY AND DISCLAIMER:** We warrant Akron Brass products for a period of five (5) years\* after purchase against defects in materials or workmanship. Akron Brass will repair or replace product which fails to satisfy this warranty. Repair or replacement shall be at the discretion of Akron Brass. Products must be promptly returned to Akron Brass for warranty service. We will not be responsible for: wear and tear; any improper installation, use, maintenance or storage; negligence of the owner or user; repair or modification after delivery; failure to follow our instructions or recommendations; or anything else beyond our control. **WE MAKE NO WARRANTIES, EXPRESS OR IMPLIED, OTHER THAN THOSE INCLUDED IN THIS WARRANTY STATEMENT, AND WE DISCLAIM ANY IMPLIED WARRANTY OF MERCHANTABILITY OR FITNESS FOR ANY PARTICULAR PURPOSE.** Further, we will not be responsible for any consequential, incidental or indirect damages (including, but not limited to, any loss of profits) from any cause whatsoever. No person has authority to change this warranty. \*Unless otherwise provided herein. Akron Brass industrial electronic components & the Severe-Duty Monitor have a one (1) year warranty. Select Akron Brass handline nozzles and valves carry a ten (10) year warranty. Scene Star Lights carry a (6) year warranty. Weldon products have a two (2) year warranty from date of manufacture (excluding consumable components). Select Weldon LED products carry a five (5) year warranty. Honda products have the manufacturers' warranty and Akron Brass disclaims any warranty in respect of those products.

© 2016 Akron Brass Company. All rights reserved. No portion of this can be reproduced without the express written consent of the Akron Brass Company.



TECHNICAL SERVICE PARTS

STYLE 3481

PRODUCT MANUAL STREAM MASTER II

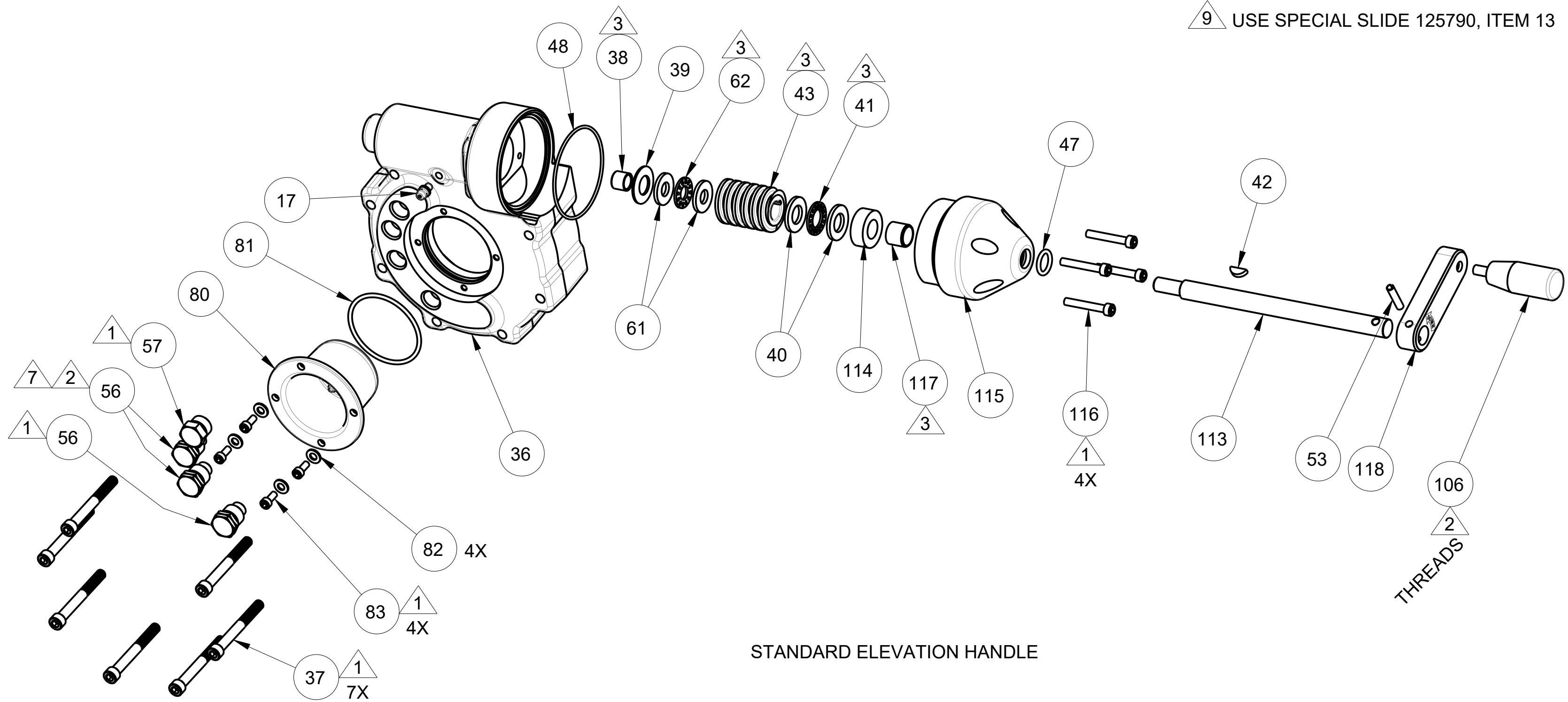
IF AN ITEM IS NOTED AS "NOT FIELD REPAIRABLE", OR YOU WISH TO RETURN AN ITEM TO AKRON BRASS FOR SERVICE PLEASE GO ONLINE TO, [ONLINEREPAIR.AKRONBRASS.COM](http://ONLINEREPAIR.AKRONBRASS.COM)

Chg.	Date
12	02-19
13	08-21

ASSEMBLY NOTES:

USE PARKER O-LUBE ON ALL O-RINGS AND MATING SURFACES UNLESS OTHERWISE NOTED.

- 1 USE PERMABOND LM113 OR LOCTITE 222.
- 2 USE PRIMER T AND PERMABOND HH120 OR LOCTITE 277.
- 3 USE LOW-TEMP LUBRIPLATE.
- 4 USE PERMABOND LH050 OR LOCTITE 592.
- 5 GENERAL DEPICTION SEE BILL OF MATERIAL.
- 6 ALIGN BALL IN HOLE. TIGHTEN PLUG UNTIL TOUCHES BALL. THEN BACK OUT PLUG 1/4-1/2 TURN.
- 7 LOCATION OF PERMANENT STOP.
- 8 THOROUGHLY CLEAN THREADS OF PLUG AND MATING PART AND APPLY LOCTITE 425.
- 9 USE SPECIAL SLIDE 125790, ITEM 13



STANDARD ELEVATION HANDLE

PHONE: 800.228.1161 | [www.akronbrass.com](http://www.akronbrass.com)

WARRANTY AND DISCLAIMER\*: We warrant Akron Brass products for a period of five (5) years\* after purchase against defects in materials or workmanship. Akron Brass will repair or replace product which fails to satisfy this warranty. Repair or replacement shall be at the discretion of Akron Brass. Products must be promptly returned to Akron Brass for warranty service. We will not be responsible for: wear and tear; any improper installation, use, maintenance or storage; negligence of the owner or user; repair or modification after delivery; failure to follow our instructions or recommendations; or anything else beyond our control. WE MAKE NO WARRANTIES, EXPRESS OR IMPLIED, OTHER THAN THOSE INCLUDED IN THIS WARRANTY STATEMENT, AND WE DISCLAIM ANY IMPLIED WARRANTY OF MERCHANTABILITY OR FITNESS FOR ANY PARTICULAR PURPOSE. Further, we will not be responsible for any consequential, incidental or indirect damages (including, but not limited to, any loss of profits) from any cause whatsoever. No person has authority to change this warranty. \*Unless otherwise provided herein. Akron Brass industrial electronic components & the Severe-Duty Monitor have a one (1) year warranty. Select Akron Brass handline nozzles and valves carry a ten (10) year warranty. Scene Star Lights carry a (6) year warranty. Weldon products have a two (2) year warranty from date of manufacture (excluding consumable components). Select Weldon LED products carry a five (5) year warranty. Honda products have the manufacturers' warranty and Akron Brass disclaims any warranty in respect of those products.

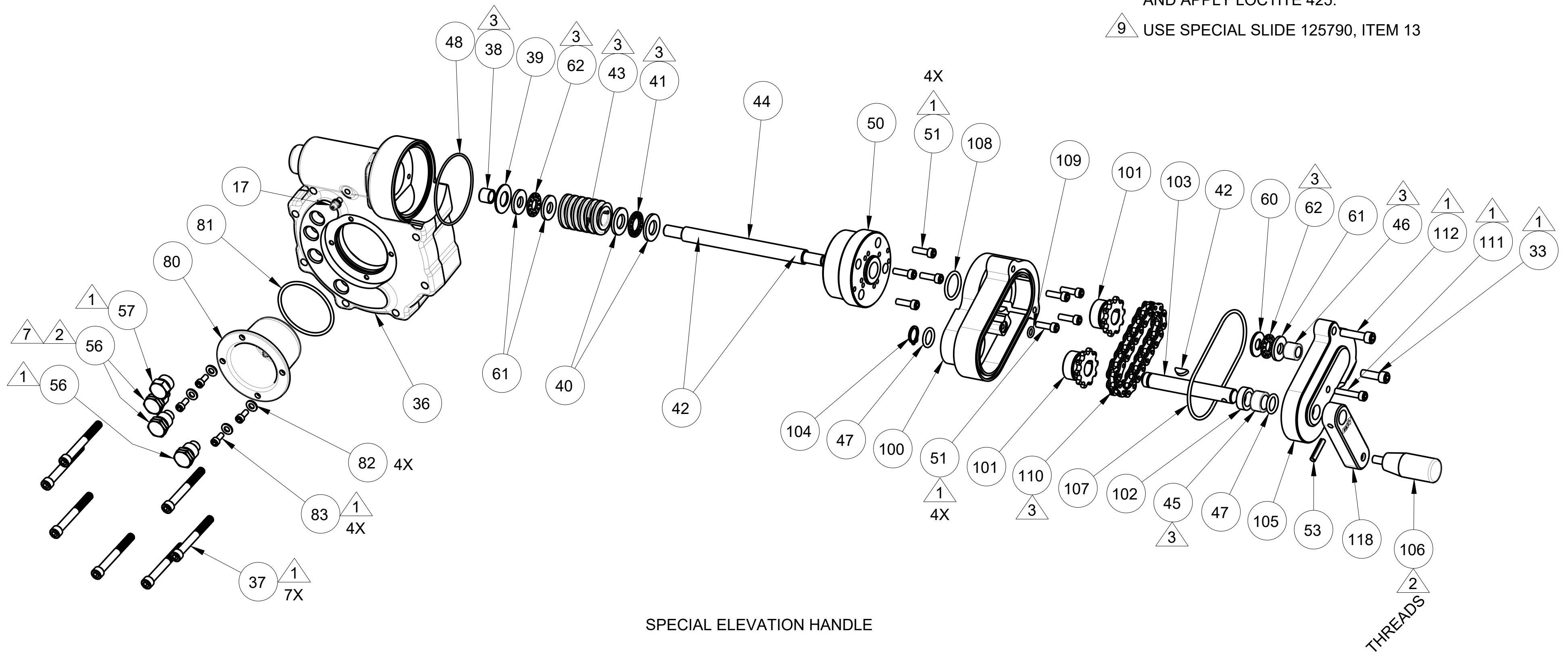
Parts List Sheet:

124287

ASSEMBLY NOTES:

USE PARKER O-LUBE ON ALL O-RINGS AND MATING SURFACES UNLESS OTHERWISE NOTED.

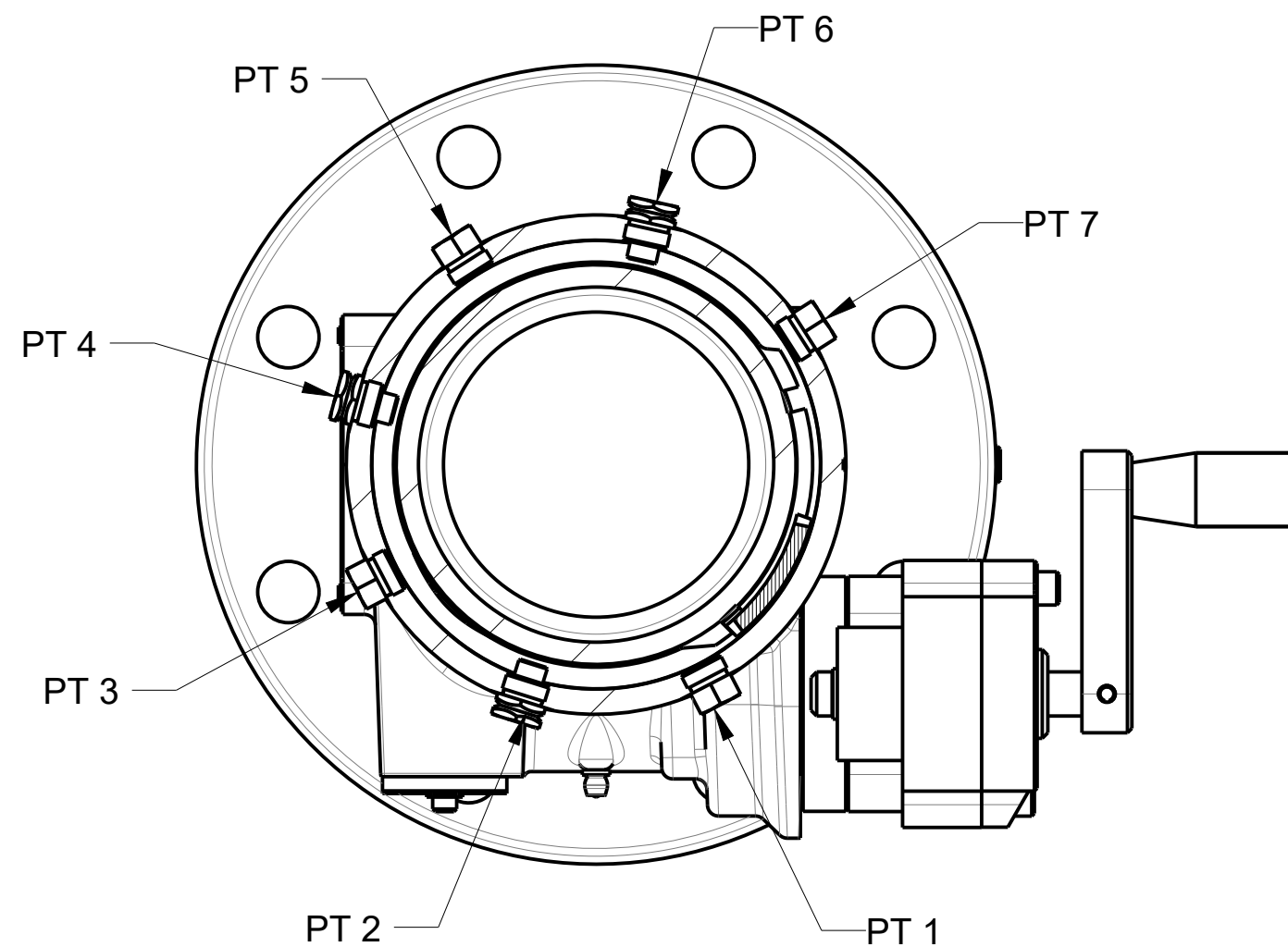
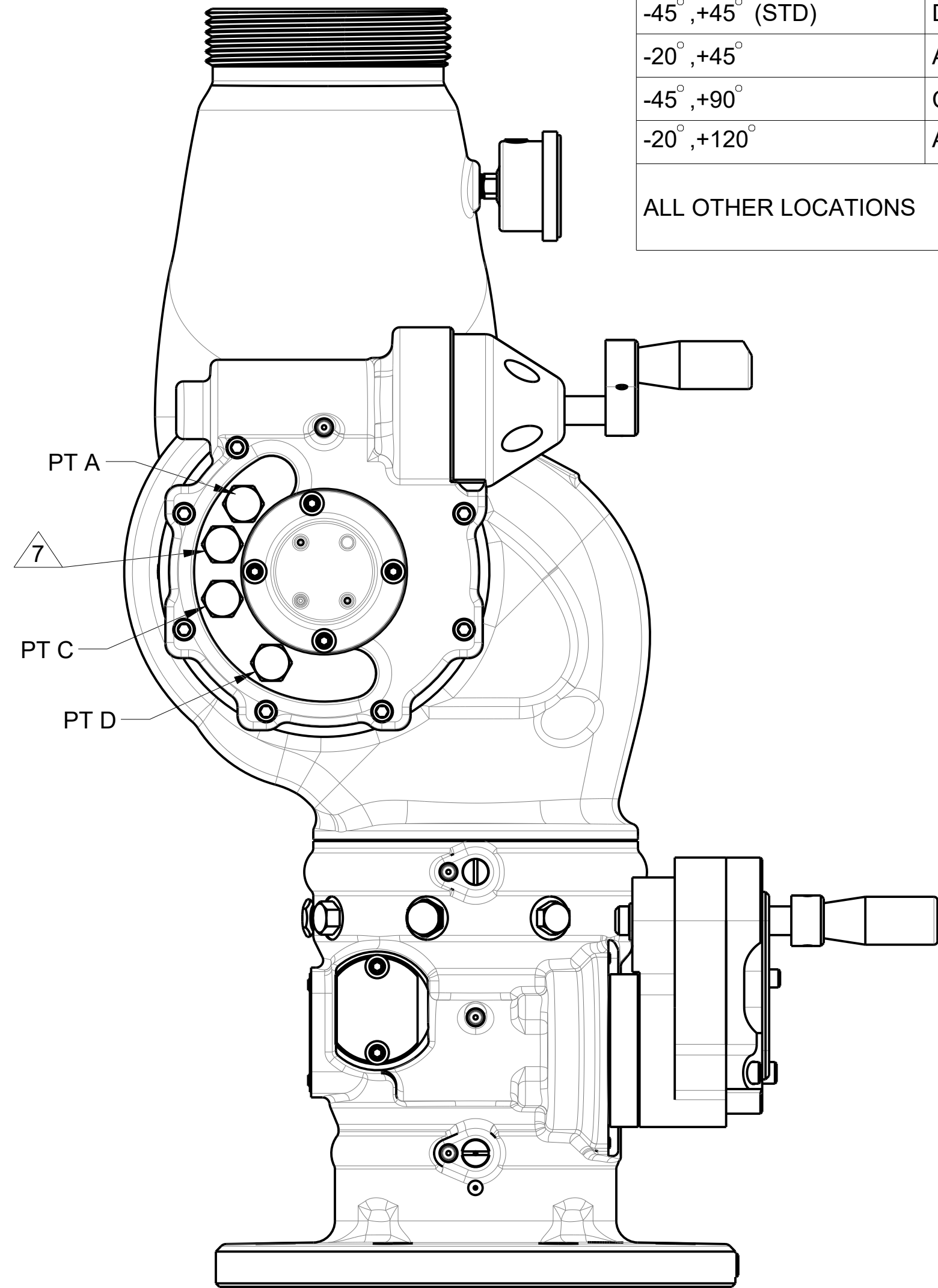
- 1 USE PERMABOND LM113 OR LOCTITE 222.
- 2 USE PRIMER T AND PERMABOND HH120 OR LOCTITE 277.
- 3 USE LOW-TEMP LUBRIPLATE.
- 4 USE PERMABOND LH050 OR LOCTITE 592.
- 5 GENERAL DEPICTION SEE BILL OF MATERIAL.
- 6 ALIGN BALL IN HOLE. TIGHTEN PLUG UNTIL TOUCHES BALL. THEN BACK OUT PLUG 1/4-1/2 TURN.
- 7 LOCATION OF PERMANENT STOP.
- 8 THOROUGHLY CLEAN THREADS OF PLUG AND MATING PART AND APPLY LOCTITE 425.
- 9 USE SPECIAL SLIDE 125790, ITEM 13



ADJUSTABLE ELEVATION STOP LOCATIONS 56 1

ANGLE OF ELEVATION	STOP LOCATIONS
-45° ,+45° (STD)	D,C
-20° ,+45°	A,C
-45° ,+90°	C
-20° ,+120°	A

ALL OTHER LOCATIONS 57



- ASSEMBLY NOTES:
- USE PARKER O-LUBE ON ALL O-RINGS AND MATING SURFACES UNLESS OTHERWISE NOTED.
  - 1 USE PERMABOND LM113 OR LOCTITE 222.
  - 2 USE PRIMER T AND PERMABOND HH120 OR LOCTITE 277.
  - 3 USE LOW-TEMP LUBRIPLATE.
  - 4 USE PERMABOND LH050 OR LOCTITE 592.
  - 5 GENERAL DEPICTION SEE BILL OF MATERIAL.
  - 6 ALIGN BALL IN HOLE. TIGHTEN PLUG UNTIL TOUCHES BALL. THEN BACK OUT PLUG 1/4-1/2 TURN.
  - 7 LOCATION OF PERMANENT STOP.
  - 8 THOROUGHLY CLEAN THREADS OF PLUG AND MATING PART AND APPLY LOCTITE 425.
  - 9 USE SPECIAL SLIDE 125790, ITEM 13

ADJUSTABLE ROTATION STOP LOCATIONS 54 1

ANGLE OF ROTATION	STOP LOCATIONS
± 90° (STD)	2,6 (SHOWN)
± 45°	1,7
± 22.5° <span style="border: 1px solid black; padding: 2px;">9</span>	1,7
± 135°	3,5
± 177°	NO STOPS

ALL OTHER LOCATIONS 55

PHONE: 800.228.1161 | [www.akronbrass.com](http://www.akronbrass.com)

**WARRANTY AND DISCLAIMER\***: We warrant Akron Brass products for a period of five (5) years\* after purchase against defects in materials or workmanship. Akron Brass will repair or replace product which fails to satisfy this warranty. Repair or replacement shall be at the discretion of Akron Brass. Products must be promptly returned to Akron Brass for warranty service. We will not be responsible for: wear and tear; any improper installation, use, maintenance or storage; negligence of the owner or user; repair or modification after delivery; failure to follow our instructions or recommendations; or anything else beyond our control. WE MAKE NO WARRANTIES, EXPRESS OR IMPLIED, OTHER THAN THOSE INCLUDED IN THIS WARRANTY STATEMENT, AND WE DISCLAIM ANY IMPLIED WARRANTY OF MERCHANTABILITY OR FITNESS FOR ANY PARTICULAR PURPOSE. Further, we will not be responsible for any consequential, incidental or indirect damages (including, but not limited to, any loss of profits) from any cause whatsoever. No person has authority to change this warranty. \*Unless otherwise provided herein. Akron Brass industrial electronic components & the Severe-Duty Monitor have a one (1) year warranty. Select Akron Brass handline nozzles and valves carry a ten (10) year warranty. Scene Star Lights carry a (6) year warranty. Weldon products have a two (2) year warranty from date of manufacture (excluding consumable components). Select Weldon LED products carry a five (5) year warranty. Honda products have the manufacturers' warranty and Akron Brass disclaims any warranty in respect of those products.

© 2016 Akron Brass Company. All rights reserved. No portion of this can be reproduced without the express written consent of the Akron Brass Company.

Parts List Sheet:  
**124287**

D47038



# TECHNICAL SERVICE PARTS

STYLE 3481

PRODUCT MANUAL STREAM MASTER II

IF AN ITEM IS NOTED AS "NOT FIELD REPAIRABLE", OR YOU WISH TO RETURN AN ITEM TO AKRON BRASS FOR SERVICE PLEASE GO ONLINE TO, [ONLINEREPAIR.AKRONBRASS.COM](http://ONLINEREPAIR.AKRONBRASS.COM)

Chg.	Date
12	02-19
13	08-21

Find	Description	Item	STD HANDLE QTY	SPC HANDLE QTY
1	BASE 3"FLANGE RED	128384	1	1
1	BASE 4"FLANGE RED	128382	1	1
1	BASE AVM FLANGE RED	127383	1	1
2	ELBOW INLET RED	126973	1	1
3	ELBOW OUTLET 2.50"NH RED	124138	1	1
3	ELBOW OUTLET 3.50"NH RED	128246	1	1
10	B O-RING 2-342	757319	1	1
11	B O-RING 2-241	757210	1	1
12	B O-RING 2-158	757326	1	1
13	SLIDER	125789	1	1
13	SLIDER ± 22.5° ONLY	125790	1	1
14	A BALL BRASS 3/8" DIA.	704020	75	75
15	PLUG SWIVEL W/HOLE	742123	2	2
16	PLUG SWIVEL	742112	2	2
17	FITTING GREASE	713191	4	4
18	PLUG SOCKET HEAD PIPE 1/8"NPT	744009	2	2
20	PLUG	742246	1	1
21	B O-RING 2-120	757020	1	1
22	WASHER #8	784123	2	2
23	SCREW SOCKET HEAD CAP #8-32 x 1/2"	765155	2	2
26	BEARING UHMW 4.835 ID	803058	1	1
27	BEARING UHMW 4.185 ID	803057	1	1
28	B O-RING 2-242	757073	1	1
29	B O-RING 2-246	757076	1	1
30	B O-RING 2-347	757446	1	1
31	B O-RING 2-348	757376	1	1
32	GEAR WORM	123934	1	1
33	SCREW SOCKET HEAD CAP 1/4-20 x 3/4"	765030	9	10
34	RING RETAINING	758326	1	1
36	HOUSING GEARBOX RED	124302	1	1
37	SCREW SOCKET HEAD CAP 1/4-20 x 2-1/4"	765310	7	7
38	BEARING	803105	1	1
39	SPRING BELLEVILLE	769276	2	2
40	WASHER THRUST	784121	4	4
41	BEARING NEEDLE	703453	2	2
42	KEY WOODRUFF 1/8" x 1/2"	727025	4	6
43	GEAR WORM	718273	2	2
44	SHAFT	768497	1	2
45	BEARING ROLLER	704395	1	2
46	BEARING SLEEVE	704941	1	2
47	B O-RING 2-112	757313	3	4

Find	Description	Item	STD HANDLE QTY	SPC HANDLE QTY
48	B O-RING 2-036	757312	2	2
49	BUSHING	803099	1	1
50	ADAPTER	126985	1	2
51	SCREW SOCKET HEAD CAP #10-24 x 5/8"	765028	8	16
52	HANDLE CRANK ROTATION	126988	1	1
53	PIN ROLL 3/16" x 7/8"	744088	2	2
54	STOP - ROTATION	769498	3	3
55	PLUG - ROTATION	744337	4	4
56	STOP - ELEVATION	769843	3	3
57	PLUG - ELEVATION	745187	1	1
58	PLATE ID 1250 GPM	127621	1	1
58	PLATE ID 2000 GPM	127622	1	1
59	NAIL GRIP	736052	4	4
60	WASHER BEARING	784114	1	2
61	WASHER BEARING	784113	5	6
62	BEARING THRUST ROLLER	704437	3	4
70	SCREW SOCKET HEAD SET 5/16-18 x 1/4"	765071	4	4
80	BOX ELEVATION SENSOR POTTING	803401	1	1
81	B O-RING 2-136	757083	1	1
82	WASHER #8	784123	4	4
83	SCREW SOCKET HEAD CAP #8-32 x 3/8"	765064	4	4
85	SCREW SOCKET HEAD SET #10-24 x 1/4"	765025	4	4
100	HOUSING PULLEY	127642	1	2
101	SPROCKET	769499	2	4
102	SPACER	769495	1	2
103	SHAFT	768496	1	2
104	RING RETAINING	758132	1	2
105	COVER	126668	1	2
106	SPINNER	770384	2	2
107	B O-RING 2-152	757149	1	2
108	B O-RING 2-117	757105	1	2
109	B O-RING 2-010	757005	1	2
110	CHAIN ROLLER - 11 LINKS	35782014	1	2
111	SCREW SOCKET HEAD CAP #10-24 x 1"	767041	1	2
112	SCREW SOCKET HEAD CAP 1/4-20 x 1"	767003	1	2
113	SHAFT	768498	1	-
114	SPACER	768458	1	-
115	EXTENSION HANDWHEEL	124301	1	-
116	SCREW SOCKET HEAD CAP #10-24 x 1-1/4"	767100	4	-
117	BEARING SLEEVE	703995	1	-
118	HANDLE CRANK ELEVATION	126989	1	1

Find	Description	Item	STD HANDLE QTY	SPC HANDLE QTY
119	GAUGE PRESSURE KPA/PSI	718322	1	1
119	GAUGE PRESSURE MPA/BAR	718323	1	1
132	* ADAPTER THREAD	-	1	1
133	GASKET	717043	1	1
134	SCREW SOCKET HEAD SET 1/4-20 x 1/4"	765002	1	1
A	KIT OF 50 BALLS	109342		
B	FIELD SERVICE KIT	92200001		

\* CONTACT AKRON BRASS CUSTOMER SERVICE FOR PROPER 2.5" THREADED ADAPTER

PHONE: 800.228.1161 | [www.akronbrass.com](http://www.akronbrass.com)

**WARRANTY AND DISCLAIMER\***: We warrant Akron Brass products for a period of five (5) years\* after purchase against defects in materials or workmanship. Akron Brass will repair or replace product which fails to satisfy this warranty. Repair or replacement shall be at the discretion of Akron Brass. Products must be promptly returned to Akron Brass for warranty service. We will not be responsible for: wear and tear; any improper installation, use, maintenance or storage; negligence of the owner or user; repair or modification after delivery; failure to follow our instructions or recommendations; or anything else beyond our control. WE MAKE NO WARRANTIES, EXPRESS OR IMPLIED, OTHER THAN THOSE INCLUDED IN THIS WARRANTY STATEMENT, AND WE DISCLAIM ANY IMPLIED WARRANTY OF MERCHANTABILITY OR FITNESS FOR ANY PARTICULAR PURPOSE. Further, we will not be responsible for any consequential, incidental or indirect damages (including, but not limited to, any loss of profits) from any cause whatsoever. No person has authority to change this warranty. \*Unless otherwise provided herein. Akron Brass industrial electronic components & the Severe-Duty Monitor have a one (1) year warranty. Select Akron Brass headline nozzles and valves carry a ten (10) year warranty. Scene Star Lights carry a (6) year warranty. Weldon products have a two (2) year warranty from date of manufacture (excluding consumable components). Select Weldon LED products carry a five (5) year warranty. Honda products have the manufacturers' warranty and Akron Brass disclaims any warranty in respect of those products.

© 2016 Akron Brass Company. All rights reserved. No portion of this can be reproduced without the express written consent of the Akron Brass Company.

Parts List Sheet:

124287